



Axis Horizontal

# TABLE OF CONTENTS

---

## English

Introduction.....	3
Universal Bracket (UB).....	4
Collar Bracket (CB).....	21
Angled Bracket (UB & CB).....	24
Stair Bracket (SSB) .....	32
Care & Maintenance/Warranty.....	41

## INTRODUCTION

---

### READ INSTRUCTIONS COMPLETELY BEFORE STARTING INSTALLATION

It is the responsibility of the installer to meet all code and safety requirements, and to obtain all required building permits. The deck and railing installer should determine and implement appropriate installation techniques for each installation situation. Fortress Railing Products and its distributors shall not be held liable for improper or unsafe installations.

Fortress Posts must always be secured to the deck framing and should never be attached to only the deck boards.

#### Note

- When cutting Fortress Railing, it is very important to complete the following at cut points:
- Remove all metal shavings from the cut area.
- File any sharp edges left by cutting. Thoroughly wipe and remove any filings, grime, or dirt from the railing.
- Apply two coats of Fortress zinc based touch-up paint to the cut area. If touch up is at rail ends, allow paint to dry before connecting bracket to post.
- Be sure to remove any metal shavings from the surface of deck, patio, or balcony to prevent stains on the deck surface.

#### Torx Safety Tips

- Always use the lowest speed setting on drill.
- To reduce chance of bit breakage, start tightening with drill on low torque setting and work up until screw is secured.

**Tip: Pre-drill holes with 3/16" [5mm] drill bit.**

## Required Tools



Goggles



Safety  
Gloves



Tape  
Measurer



Speed  
Square



Level  
Tool



Touch-Up  
Paint



T-25  
Driver Bit



#2 Phillips  
Head Bit



Drill Bits: 1/16", 3/16",  
3/8", [2mm, 5mm, 10mm]



Bit  
Extender



Spring  
Punch



Drill



Clamp



Metal Cutting Miter Saw  
or Portable Band saw



Grinder



Rubber  
Mallet



Pencil



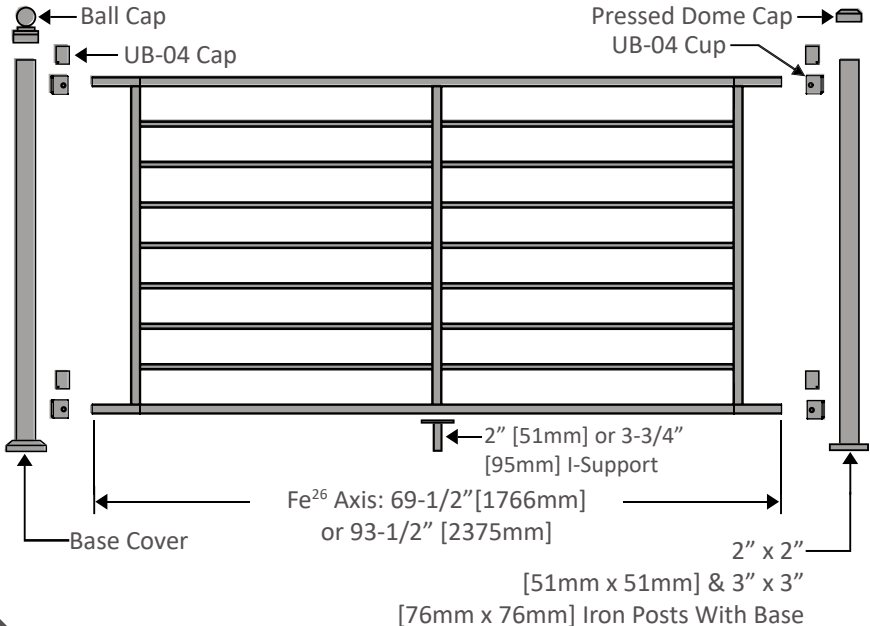
Wood 2" x 4" [60mm x 102mm]



File

## UNIVERSAL BRACKET

### Fe<sup>26</sup> Axis: Universal (UB) Bracket Installation



## Universal Bracket (UB-04) Post Configuration

Fe <sup>26</sup> Axis Panel Height	Rail Panel	
	Installed Panel Height*	Required Post
34" [864mm]	37-3/4" [959mm]	39-1/2" [1003mm]
40" [1016mm]	43-3/4" [1111mm]	45-1/2" [1156mm]
40" [1016mm]	42" [1067mm]	45-1/2" [1156mm]

\*Installed panel heights of 37-3/4" [959mm] and 43-3/4" [1111mm] panel heights include a 3-3/4" [95mm] space between deck surface and bottom edge of bottom rail.

\*Installed panel height of 42" [1067mm] includes a 2" [51mm] space between deck surface and bottom edge of bottom rails and is **ONLY** available for posts with pre-attached UB-04 Brackets.

\*Posts with pre-attached UB-04 Brackets are available for Axis & Traditional panel installations **ONLY**.

## UNIVERSAL BRACKET: POST MOUNTING

\*If using Fortress Evolution Framing, reference Evolution Post to Frame connection instructions in the link below:

<https://fortressbp.com/Documents/Framing-Installation-Guide.pdf>

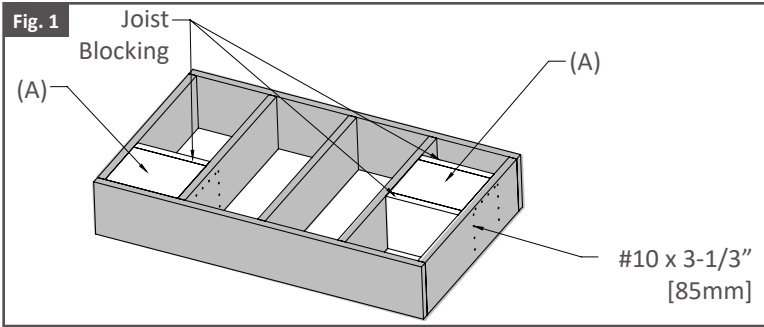
### Note:

**It's recommended to install brackets into post before Post Mounting. Reference page 8 or 9 for Bracket Installation steps.**

**Fe<sup>26</sup> Posts with pre-attached UB-04 Brackets are available. Reference page 8.**

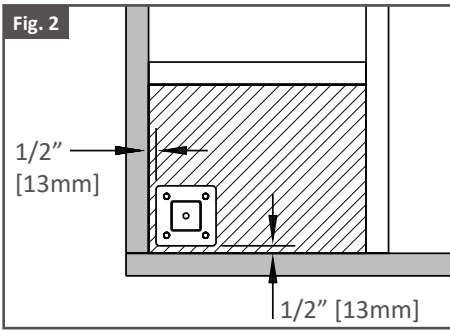
### Step 1: Install Wood Blocks

1. Install Wood Block level with top of joist. As shown in Fig. 1.
2. Secure Wood Blocking to blocking on all four sides with #10 X 3-1/2" [89mm] deck screws.
  - Wood Block must be constructed with treated dimensional lumber with a minimum thickness of 1-1/2" [38mm].



## Step 2: Position Base Plate

1. Position the edge of base plate a minimum of 1/2" [13mm] from the inside edge of rim joist. As shown in Fig. 2.

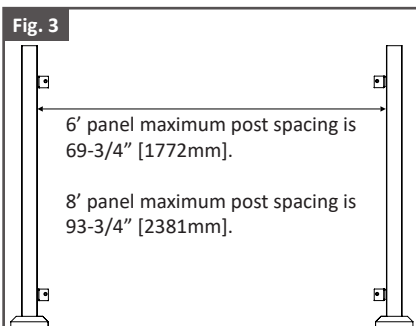


## Step 3: Max Post Spacing

- 6' panel maximum post spacing is 69-3/4" [1772mm].
- 8' panel maximum post spacing is 93-3/4" [2381mm].

### Note:

- Using the maximum post spacing will help minimize the amount of required panel cuts.
- **DO NOT** exceed the maximum post spacing.

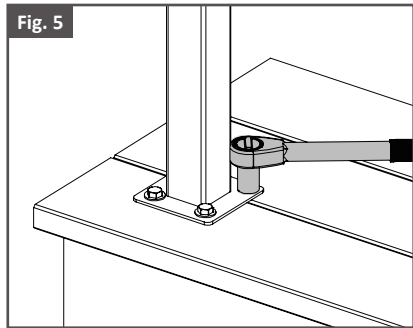
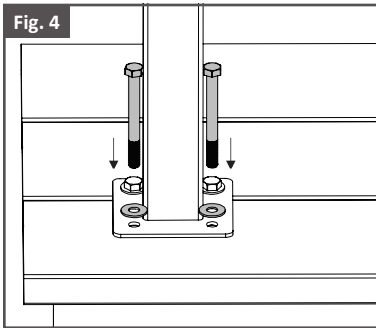


#### Step 4: Mount Posts

1. Mark mounting hole locations and pre-drill a 3/8" [10mm] hole.
2. Insert 3/8" x 3-1/2" [10mm x 89mm] Hex Head galvanized bolts through 3/8" [10mm] galvanized washer and post base plate.

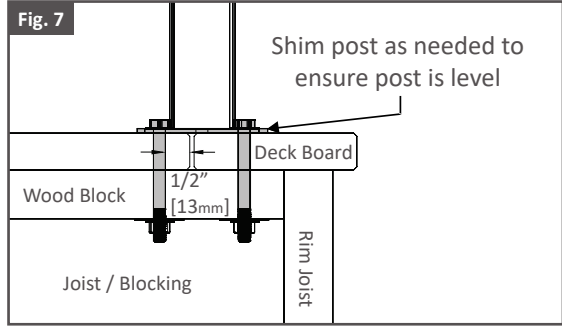
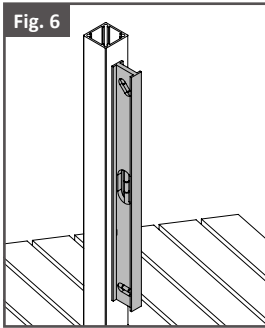
#### Note:

- Post Base Plate holes **MUST** be positioned a minimum 1/2" [13mm] from edge of deck board.



#### Step 5: Check Mounted Posts

1. Shim post as needed to ensure post is level.



# UNIVERSAL BRACKET (UB-04): POST W/ PRE-ATTACHED BRACKET

## Step 1: Identify Required Pre-Attached Post & Bracket

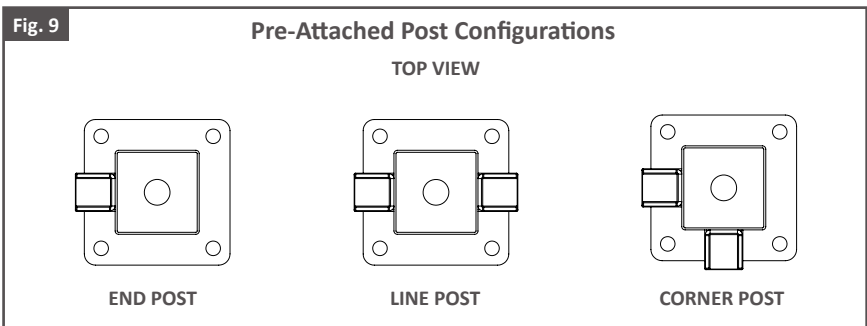
1. Fe26 2" [51mm] and 3" [76mm] Posts are available with pre-attached UB-04 Brackets. Reference Fig. 8 & 9 below for desired post.

### Note:

- Pre-welded posts are **ONLY** applicable to the 34" [864mm] and 40" [1016mm] panels.
- Reference post mounting steps on pages 5 - 7.

**Fig. 8**

Post	Panel	Line	Corner	End	Installed Panel Height
<b>3-3/4" [95mm] spacing between deck surface and bottom rail</b>					
2" x 39-1/2" [51mm x 1003mm]	34" [864mm]	X	X	X	37-3/4" [959mm]
2" x 45-1/2" [51mm x 1156mm]	40" [1016mm]	X	X	X	43-3/4" [1111mm]
3" x 39-1/2" [76mm x 1003mm]	34" [864mm]	X	X	X	37-3/4" [959mm]
3" x 45-1/2" [76mm x 1156mm]	40" [1016mm]	X	X	X	43-3/4" [1111mm]
<b>2" [51mm] spacing between deck surface and bottom rail</b>					
2" x 45-1/2" [51mm x 1156mm]	40" [1016mm]	X	X	X	42" [1067mm]
3" x 45-1/2" [76mm x 1156mm]	40" [1016mm]	X	X	X	42" [1067mm]





# UNIVERSAL BRACKET (UB-04): BRACKET INSTALLATION

## Step 1: Mark Bracket Hole Locations

1. Mark the centerline of each post with a pencil.
2. Take measurements used in Fig. 10 - 12 to mark bottom and top bracket hole locations onto posts.

### Tip:

- Remove all metal shavings from deck, post base cover, post, and panel before bracket is screwed to post to prevent rust stains.

**Fig. 10** UB-04 Bracket Hole Locations: 3-3/4" [95mm] Above Deck Spacing

**Pre-drill Dimensions:** Pre-drilling with a 3/16" [5mm] drill bit is required

A\*

B

C

### 34" [864mm] Panel

4" [102mm]

1/2" [13mm]

37" [940mm]

### 40" [1016mm] Panel

4" [102mm]

1/2" [13mm]

43" [1092mm]

\*Dimension A positions bottom edge of rail 3-3/4" [95mm] above deck surface.

\*Dimension A is measured from the bottom surface of post base.

**Fig. 11** UB-04 Bracket Hole Locations: 2" [51mm] Above Deck Spacing

**Pre-drill Dimensions:** Pre-drilling with a 3/16" [5mm] drill bit is required

A\*

B

C

### 40" [1016mm] Panel

2-1/8" [54mm]

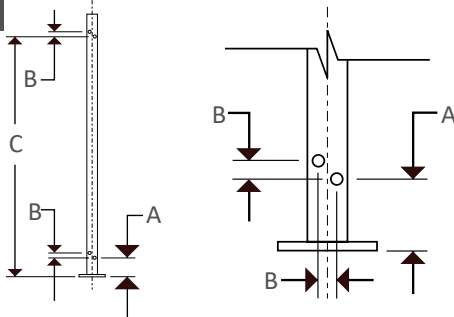
1/2" [13mm]

41-1/4" [1045mm]

\*Dimension A positions bottom edge of rail 2" [51mm] above deck surface.

\*Dimension A is measured from the bottom surface of post base.

**Fig. 12**



## Step 2: Pre-Drill and Install Brackets

### Tip:

- **It's important to double check dimensions to confirm accuracy of bracket hole locations before drilling.**
1. Use Spring Punch to mark the holes. As shown in Fig. 13.
  2. Pre-drill bracket holes with a 3/16" [5mm] drill bit. As shown in Fig. 14.
  3. Attach Brackets to the posts with supplied T-25 thread-cutting screws. Use two screws per bracket. Use low speed setting on drill. As shown in Fig. 15.
  4. Once top and bottom brackets are installed, remeasure bracket spacing to confirm dimensions used in Fig. 10 - 12 (Page 9) of step 1. As shown in Fig. 16.
  5. Remove all metal shavings from deck, post base cover, post, and panel before bracket is screwed to post to prevent corrosion.

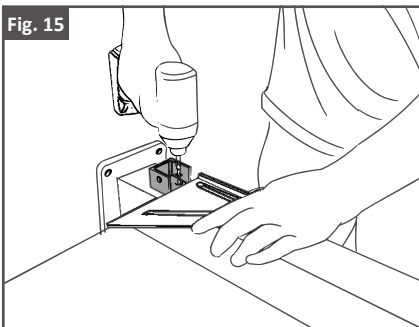
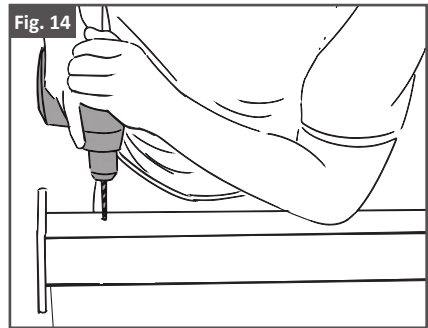
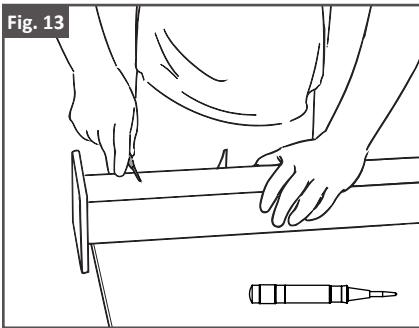
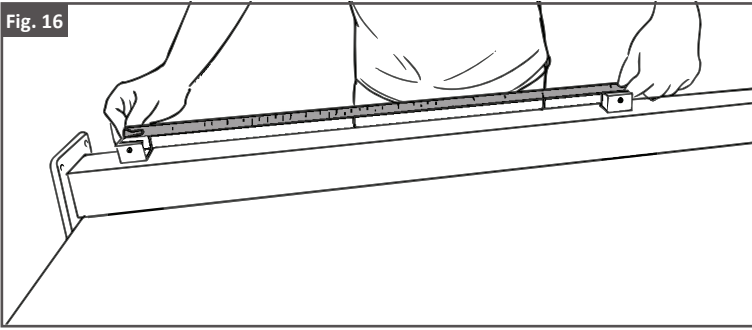


Fig. 16



## UNIVERSAL BRACKET: CUTTING DOWN PANELS

### Step 1: Measure The Panel Opening Length

1. Measure the distance of the panel opening. As shown in Fig. 17.
2. Confirm that the measurements for the top brackets are the same as the bottom brackets.

#### Note:

- Measure from the back wall of the bracket to the back wall of the bracket on other post. As shown in Fig. 18.
- T-25 Pan Head Self Tapping Screws are packaged in a plastic bag and secured to the panel. **DO NOT** discard screws.

Fig. 17

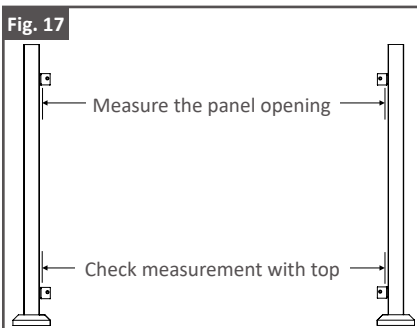
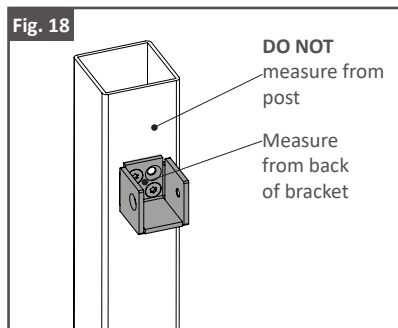


Fig. 18



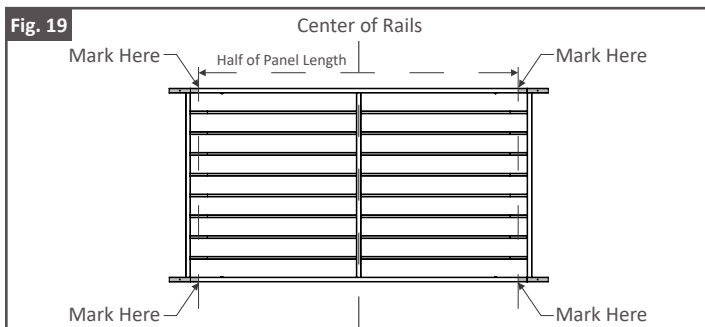
### Step 2: Mark Rail & Picket Cut Points

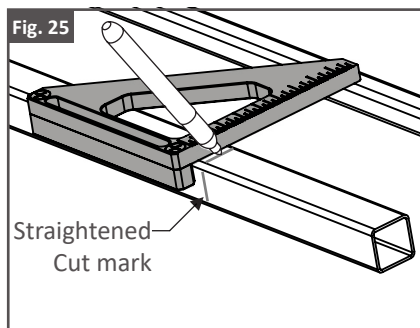
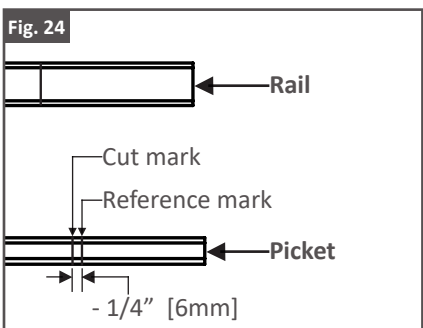
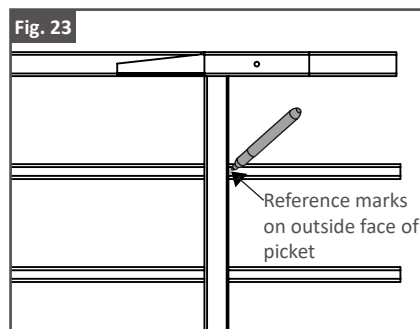
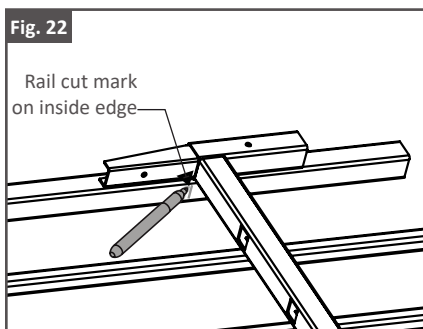
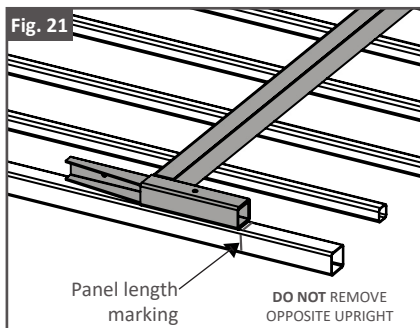
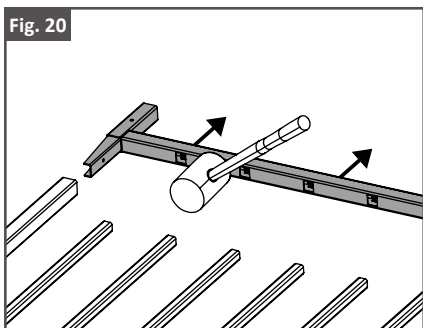
1. Position the panel on a flat surface, preferably a table.
2. To ensure rails are symmetrical, take the measurement found in step 1 and divide it in half.
3. Find and mark the center of the rail.

4. From the previously marked center, measure out the divided length in each direction. As shown in Fig. 19.
5. Mark these locations with a pencil on the top/bottom rail.
6. Using a rubber mallet, remove one of the uprights from the panel. As shown in Fig. 20. **DO NOT** Remove the opposite upright.
7. Place the removed upright on top of loose rails and pickets. Position the back edge of upright in line with the previous marked point and flush with the rails. As shown in Fig. 21.
8. Mark rail cut points on the inside edge of upright. As shown in Fig. 22.
9. Mark picket reference points on outside face of upright. As shown in Fig. 23.
10. On previously marked **PICKET** reference points, remove 1/4" [6mm] and mark the picket cut points. As shown in Fig. 24.
11. Using a speed square, straighten cut point markings on and side faces of rails and pickets. As shown in Fig. 25.

**Tip:**

- **Be sure to have upright positioned correctly when marking cut points.**





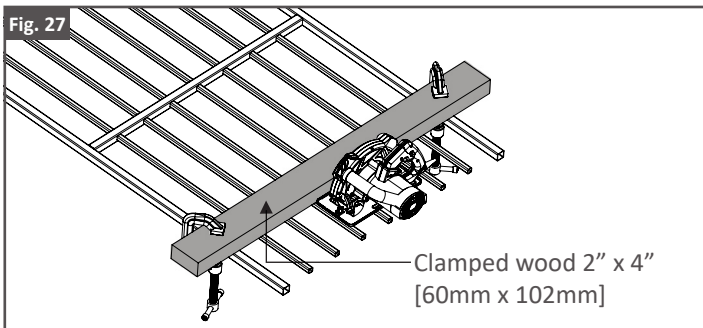
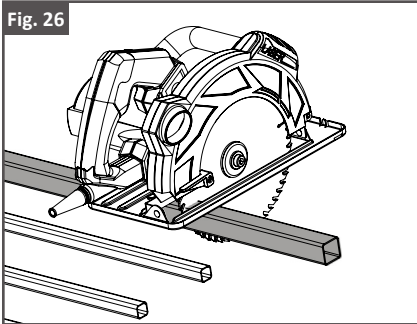
### Step 3: Cut Rails & Pickets

1. Cut top and bottom rails using a Portable Band Saw, Circular Saw or Grinder with a cutoff disc. Be sure to follow cut marks on top and side faces. As shown in Fig. 26.
2. Use a Circular Saw or Grinder to cut pickets.

#### Tip:

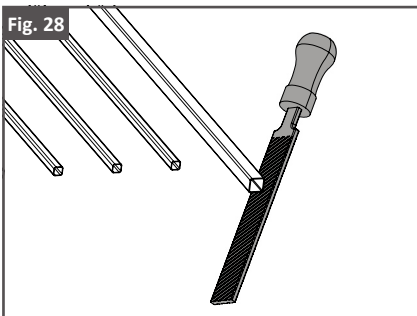
- Be sure to support rails and pickets when making cuts.
- When cutting pickets, clamp a straight wood 2" x 4" [60mm x 102mm] to create a straight edge for the Circular Saw to follow. As shown in Fig. 27.

- Always having the opposite upright installed makes it easier to cut while keeping the rails and pickets in place.
- Be sure to follow cut marks on top and side faces.
- Be sure to not over heat the rails and picket when making cuts with a Grinder.
- **Before installing upright, empty cutting debris from pickets and rails.**



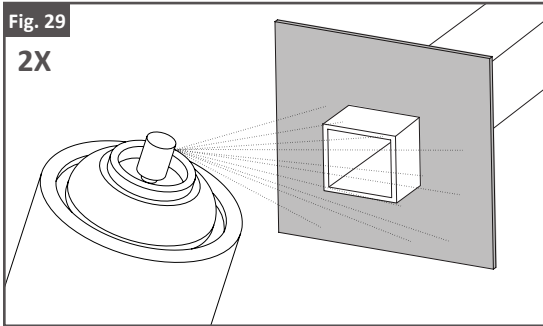
#### Step 4: Clean Rails & Pickets

1. Use a file to smooth cut edges. As shown in Fig. 28.
2. Remove any metal shavings and dust with a brush or rag.
3. Make sure surfaces to be painted are clean.



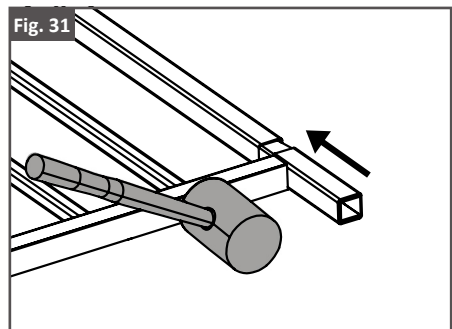
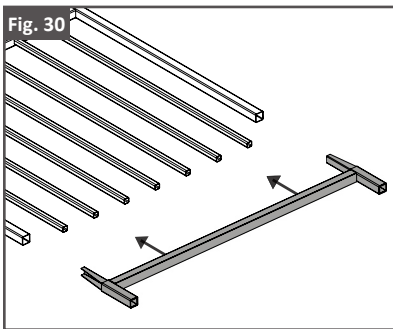
### Step 5: Apply Spray Paint To Cut Areas

1. Using a piece of cardboard as a mask, apply the 1<sup>st</sup> coat of Fortress zinc based touch-up paint. As shown in Fig. 29.
2. Allow to dry before applying second coat.
3. Apply the 2<sup>nd</sup> coat of Fortress zinc based touch-up paint.
4. Allow to dry and install.



### Step 6: Install Uprights

1. Insert uprights into the cut panel. As shown in Fig. 30.
2. Starting on one end, use a rubber mallet to fully seat upright on to rails and pickets. As shown in Fig. 31.

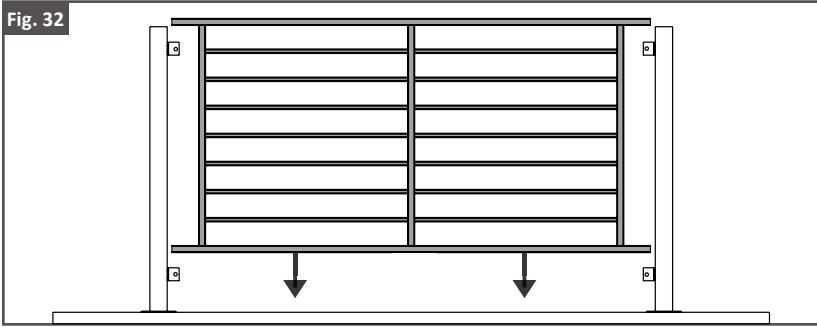


### Step 7: Cut Opposite Side Of Panel

1. Repeat steps 1 - 6 for the opposite side of panel.

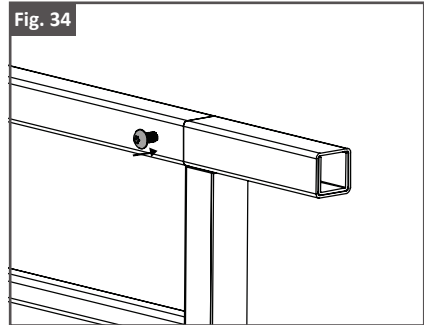
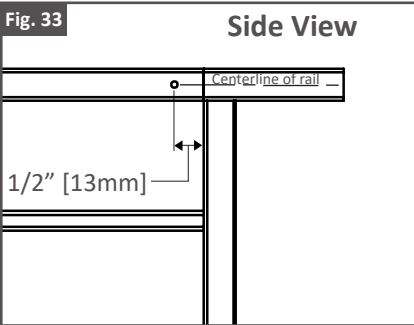
### Step 8: Test Fit Panel

1. Once both uprights are inserted, test fit the panel to confirm length. As shown in Fig. 32.
2. Confirm inside face of post to inside face upright spacing. **CANNOT** exceed 4" [ 102mm].

**Fig. 32**

### Step 9: Install Set Screws

1. Once panel length is confirmed, measure 1/2" [13mm] from inside edge of upright and mark screw hole. As shown in Fig. 33.
2. Pre-drill screw holes with a 3/16" [5mm] drill bit.
3. Attach screw to the panel and upright with supplied T-25 Pan Head Self Tapping Screws. Use low speed setting on drill. As shown in Fig. 34.



## UNIVERSAL BRACKET: PANEL INSTALLATION

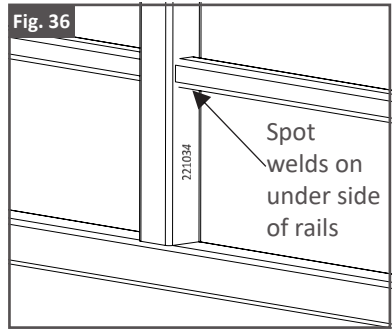
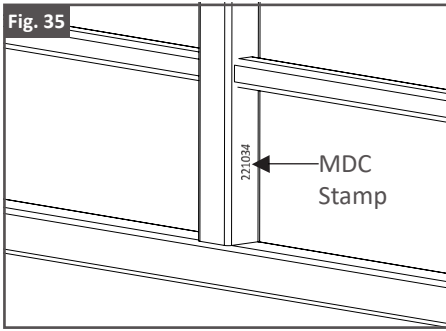
### Step 1: Determine The Top & Bottom Of Panel

1. Use the Manufacturing Date Code (MDC) Stamp to determine the bottom of the panel. The MDC Stamp can be found on the bottom inside face of the middle upright. As shown in Fig. 35.

#### Tip:

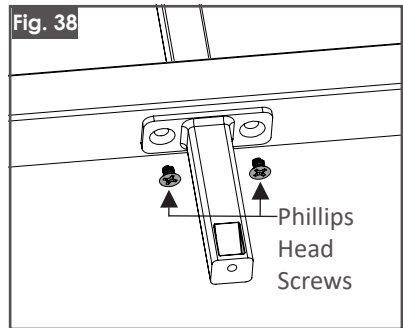
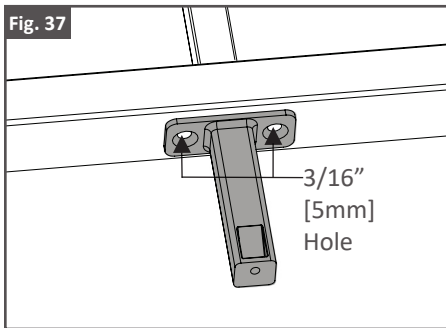
- The bottom of the panel can also be determined by the spot welds. Spot welds on the panel should face down and be on the under side of the rails. As shown in Fig. 36.





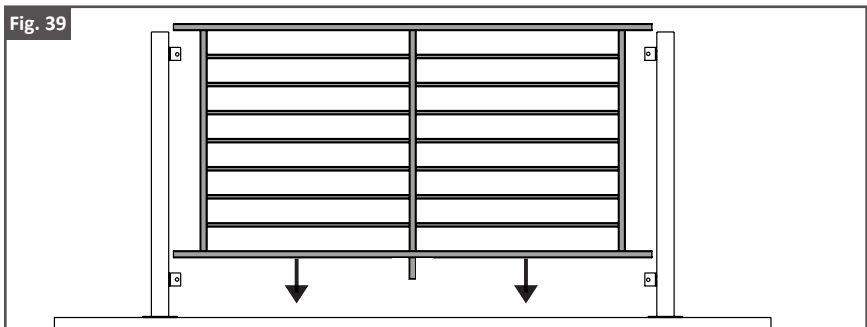
**Step 2: Install I-Support On Bottom Rail (Optional)**

1. Measure and locate the center of the bottom rail. Using the I-Support as a guide, mark the center of the 2 screw holes. As shown in Fig. 37.
2. Using a 3/16" [5mm] drill bit, drill though the outside wall.
3. Install the I-Support with the provided T-25 thread cutting screws. As shown in Fig. 38.



**Step 3: Install Panel**

1. Install cut panel to ensure proper fit. As shown in Fig. 39.

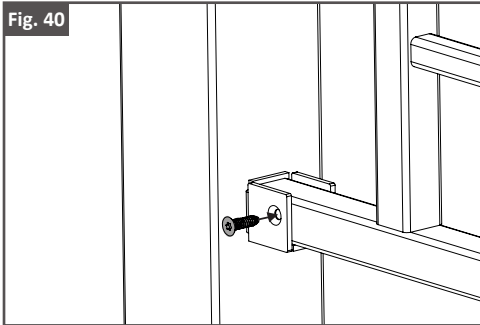


#### Step 4: Attach Panel To Bottom & Top Brackets

1. Pre-drill holes for screws using a 3/16" [5mm] drill bit.
2. Install screws into bottom & top brackets. As shown in Fig. 40.

#### Note:

- Only one screw per bracket is needed to secure the bracket to the panel.
- Screws should be installed on the same side of brackets.

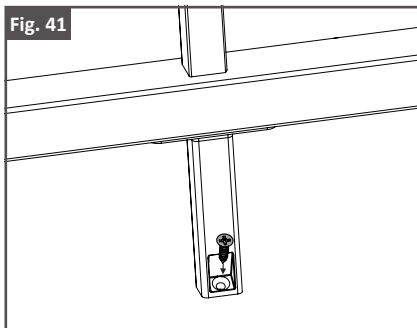


#### Step 5: Attach I-support To Deck (Optional)

1. Fasten I-support to deck surface with the supported Phillips Head Wood Screws . As shown in Fig. 41.

#### Tip:

- Pre-drill with a 1/16" [2mm] drill bit.



## UNIVERSAL BRACKET: POST BASE COVER, BRACKET CAP & PRESSED DOME/BALL CAP INSTALLATION

### Step 1: Install Post Base Cover

1. Separate the two-piece base plate cover. Hold one side parallel to the post base plate. As shown in Fig. 42.
2. Place 2nd half of the post base cover on the opposite side of the post. Hold 2nd piece slightly under the 1st piece. As shown in Fig. 43.
3. Twist the 2nd cover  $\frac{1}{4}$  turn and move piece until both halves touch. As shown in Fig. 44.
4. Make sure one of the locking pins on the 2nd cover engages with the proper slot on the 1st cover piece. As shown in Fig. 45.
5. Once the first locking pin is started, turn the 2nd cover piece back parallel to the post base plate. Once you have confirmed both locking pins have engaged with the opposing slots lower both halves over the post base plate. As shown in Fig. 46.

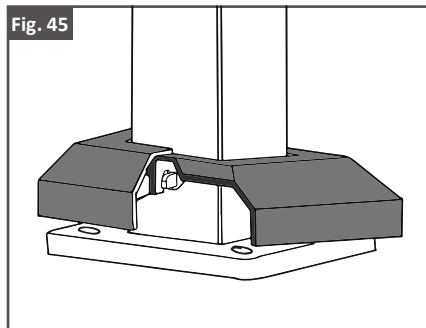
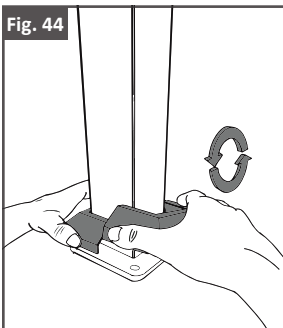
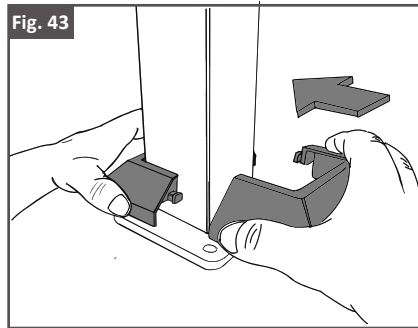
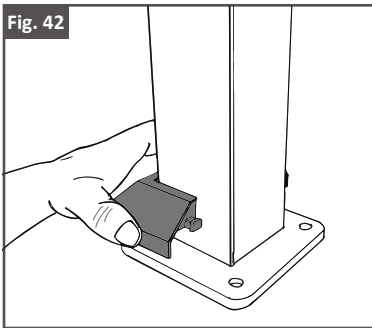
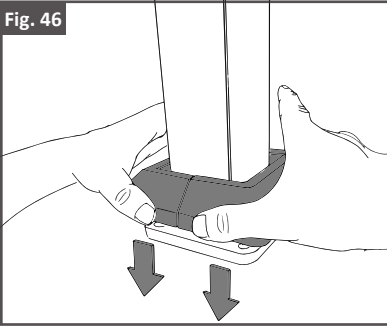


Fig. 46



### Step 2: Install Bracket Caps

1. Bracket Caps snap over Bracket Caps. As shown in Fig. 47 & 48.

Fig. 47

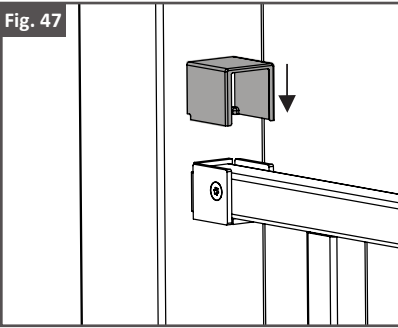
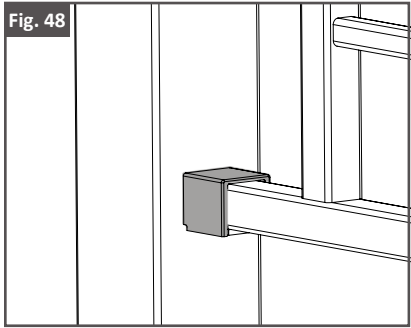


Fig. 48



### Step 3: Install Pressed Dome Cap

1. Pressed Dome Caps & Ball Caps are press fit into place. As shown in Fig. 49 & 50.

Fig. 49

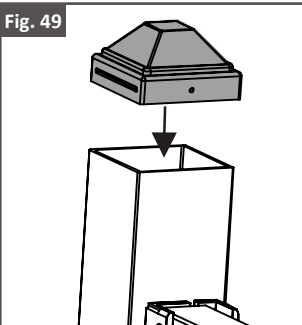
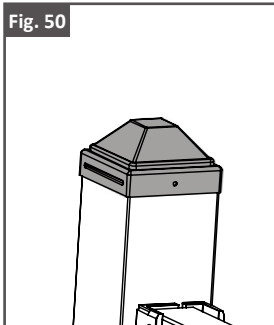
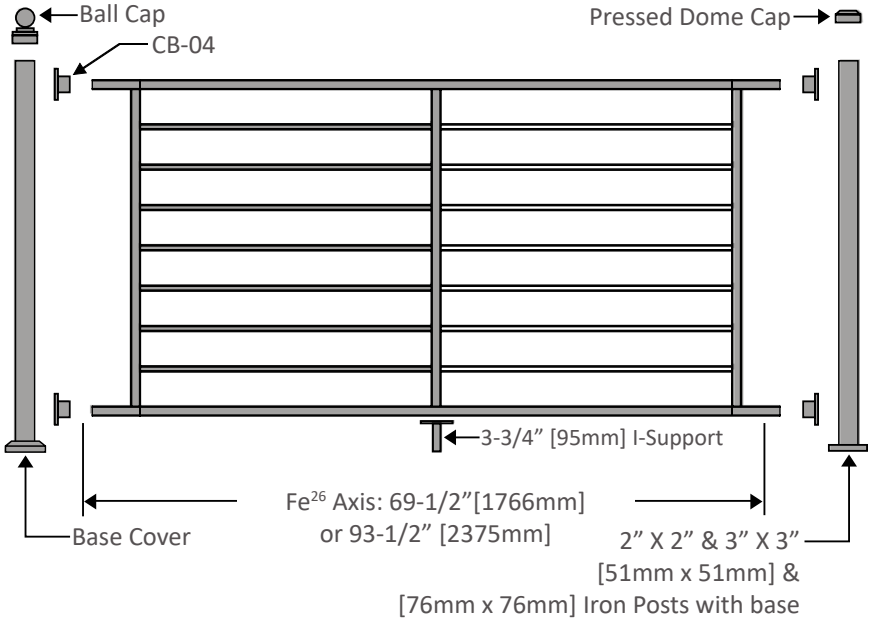


Fig. 50



# COLLAR BRACKET

## Fe<sup>26</sup> Axis: Collar Brackets (CB-04) Installation



### Collar Bracket (CB-04) Post Configuration

Fe <sup>26</sup> Axis Panel Height	Rail Panel	
	Installed Panel Height*	Required Post
34" [864mm]	37-3/4" [959mm]	39-1/2" [1003mm]
40" [1016mm]	43-3/4" [1111mm]	45-1/2" [1156mm]

\*Installed panel heights of 37-3/4" [959mm] and 43-3/4" [1111mm] panel heights include a 3-3/4" [95mm] space between deck surface and bottom edge of bottom rail.

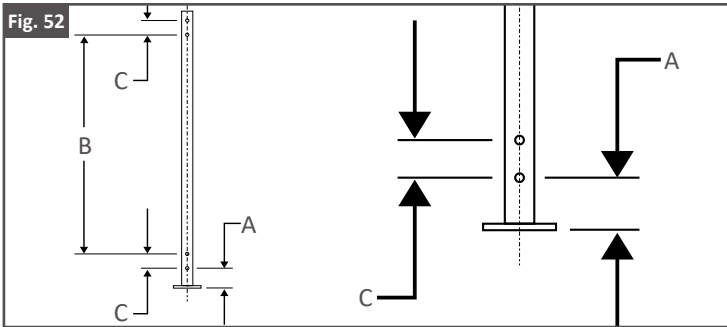
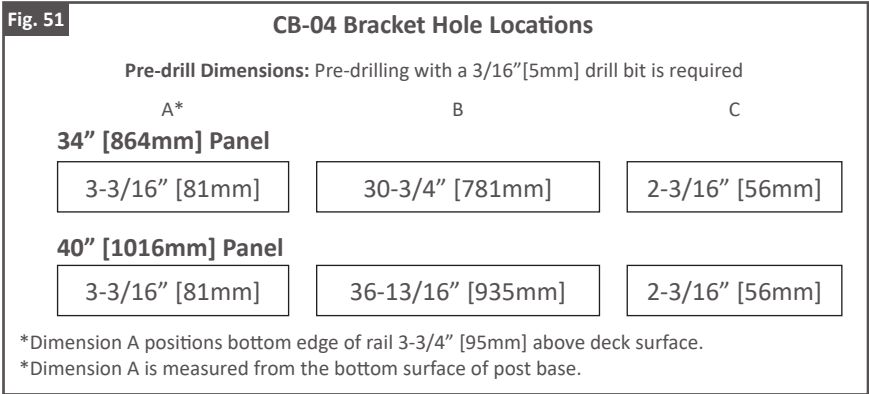
## COLLAR BRACKET: POST MOUNTING

- Reference Post Mounting instructions on page 5.

## COLLAR BRACKET: BRACKET INSTALLATION

### Step 1: Mark Bracket Hole Locations

- Reference Bracket hole marking instructions on page 9.



### Step 2: Pre-Drill Bracket Holes

- Reference Bracket hole pre-drilling instructions on page 10, step 2.

#### Note:

- **DO NOT** install Brackets in this step.

## COLLAR BRACKET: CUTTING DOWN PANELS

- Reference pages 11 - 16 for panel cutting steps.

## COLLAR BRACKET: PANEL INSTALLATION

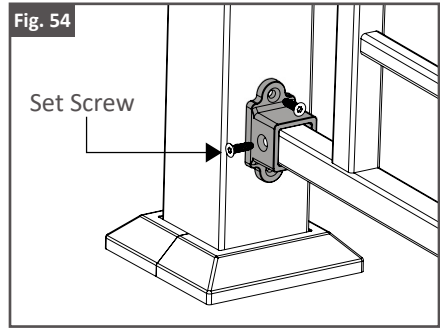
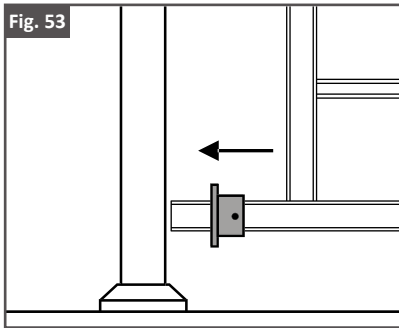
---

### Step 1: Install I-Support On Bottom Rail

- Reference I-support installation step on pages 17.

### Step 2: Install Panel

1. Slide CB-04 Brackets over each end of the bottom and top rails. Make sure that all set screw holes face the desired direction. As shown in Fig. 53.
2. Secure Brackets into pre-drilled Bracket holes on post with provided T-25 Drive Thread-Cutting Screws.
3. Pre-drill Bracket Set Screw holes on bottom Rail using a 3/16" [5mm] drill bit.
4. Secure Bracket to Rail with provided T-25 Drive Thread-Cutting Screws. As shown in Fig. 54. Use low speed setting on drill.



### Step 3: Attach I-Support To Deck

- Reference I-support mounting step on page 18.

## COLLAR BRACKET: POST BASE COVER, BRACKET CAP & PRESSED DOME/BALL CAP INSTALLATION

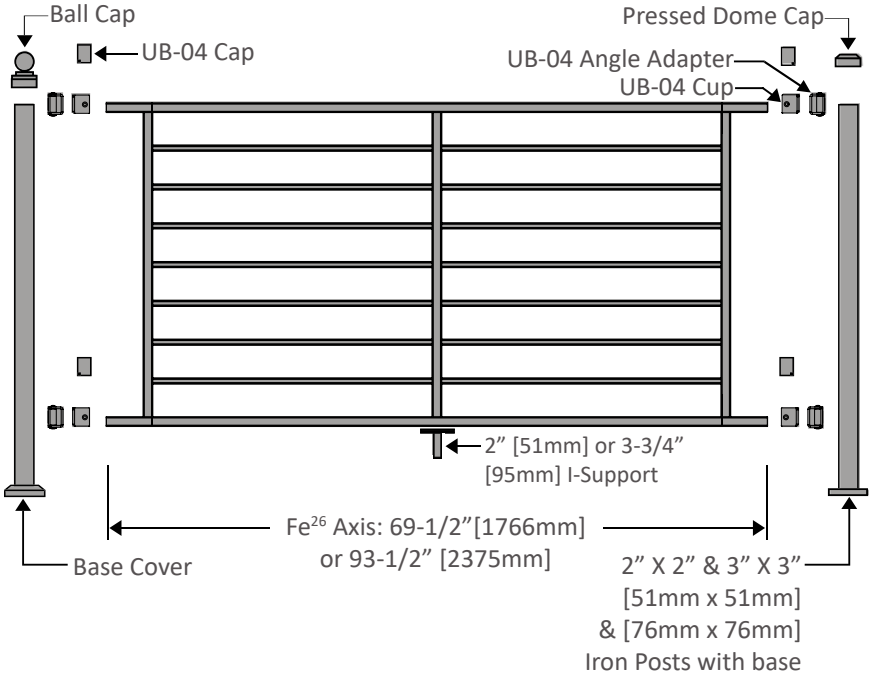
---

- Reference Post Base Cover, Bracket Cap & Pressed Dome/ Ball Cap instructions on pages 19 & 20.

# ANGLE BRACKET

## Fe<sup>26</sup> Axis: Angled Bracket Installation Options

### Universal Bracket (UB-04) With Angle Adapter



### Universal Bracket (UB-04) with Angle Adapter Post Configuration

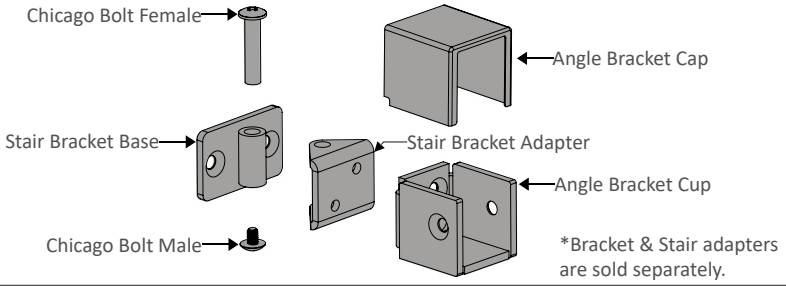
Fe <sup>26</sup> Axis Panel Height	Rail Panel	
	Installed Panel Height*	Required Post
34" [864mm]	37-3/4" [959mm]	39-1/2" [1003mm]
40" [1016mm]	43-3/4" [1111mm]	45-1/2" [1156mm]
40" [1016mm]	42" [1067mm]	45-1/2" [1156mm]

\*Installed panel heights of 37-3/4" [959mm] and 43-3/4" [1111mm] panel heights include a 3-3/4" [95mm] space between deck surface and bottom edge of bottom rail.

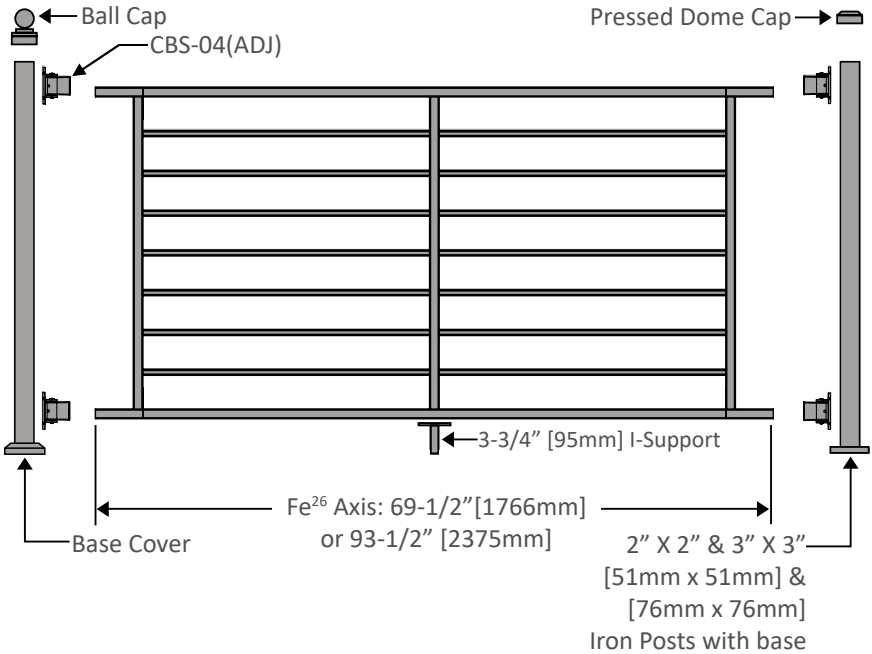
\*Installed panel height of 42" [1067mm] includes a 2" [51mm] space between deck surface and bottom edge of bottom rails.



### Universal Bracket (UB-04) with Angle Adapter



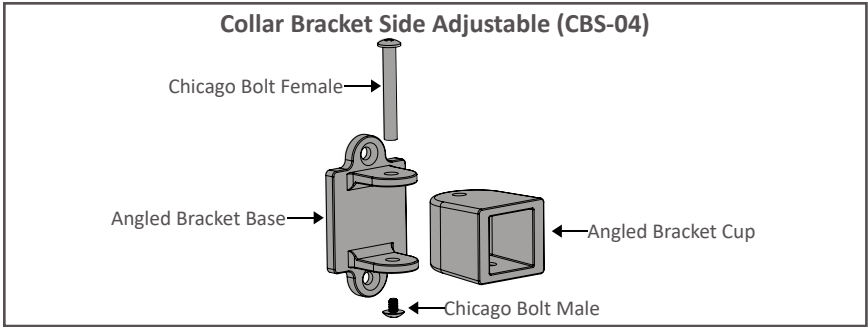
### Collar Bracket Side Adjustable (CBS-04)



### Collar Bracket Side Adjustable (CBS-04) Post Configuration

Fe <sup>26</sup> Axis Panel Height	Rail Panel	
	Installed Panel Height*	Required Post
34" [864mm]	37-3/4" [959mm]	39-1/2" [1003mm]
40" [1016mm]	43-3/4" [1111mm]	45-1/2" [1156mm]

\*Installed heights include a 3-3/4" [95mm] space between deck surface and bottom edge of bottom rail.



## ANGLE BRACKET: POST MOUNTING

- Reference Post Mounting instructions on page 5.

## ANGLE BRACKET: BRACKET INSTALLATION (UB-04 or CBS-04)

### Note:

THE ANGLE BRACKET INSTALLATION INSTRUCTIONS COVER BOTH UB-04 & CB-04, ONLY USE STEPS SPECIFIC TO BRACKET BEING INSTALLED.

### Step 1: Mark Bracket Hole Locations (UB-04 or CBS-04)

1. Mark the centerline of each post with a pencil.
2. Take measurements used to mark bottom and top bracket hole locations onto posts. Reference Fig. 55 - 57 for UB and Fig. 58 and 59 for CB.

### Note:

- Installed panel heights include space between the deck surface and underside of bottom rail. Fe<sup>26</sup> has a spacing of 3-3/4" [95mm] or 2" [51mm].

**Fig. 55 UB-04 Angle Adapter Bracket Hole Locations: 3-3/4" [95mm] Above Deck Spacing**

**Pre-drill Dimensions:** Pre-drilling with a 3/16" [5mm] drill bit is required

A\*

B

C

**34" [864mm] Panel**

4-1/4" [108mm]

37-1/4" [946mm]

1-3/16" [30mm]

**40" [1016mm] Panel**

4-1/4" [108mm]

43-1/4" [1099mm]

1-3/16" [30mm]

\*Dimension A positions bottom edge of rail 3-3/4" [95mm] above deck surface.

\*Dimension A is measured from the bottom surface of post base.

**Fig. 56 UB-04 Angle Adapter Bracket Hole Locations: 2" [51mm] Above Deck Spacing**

**Pre-drill Dimensions:** Pre-drilling with a 3/16" [5mm] drill bit is required

A\*

B

C

**40" [1016mm] Panel**

2-1/2" [64mm]

41-1/2" [1054mm]

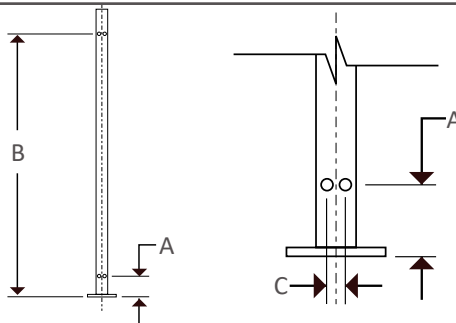
1-3/16" [30mm]

\*Dimension A positions bottom edge of rail 2" [51mm] above deck surface.

\*Dimension A is measured from the bottom surface of post base.

**Fig. 57**

**UB-04 Angle Adapter**



**Fig. 58 Collar Bracket Side Adjustable (CBS-04) Bracket Hole Locations**

**Pre-drill Dimensions:** Pre-drilling with a 3/16" [5mm] drill bit is required

A\*

B

C

**34" [864mm] Panel**

3-1/16" [78mm]

30-11/16" [780mm]

2-5/16" [59mm]

**40" [1016mm] Panel**

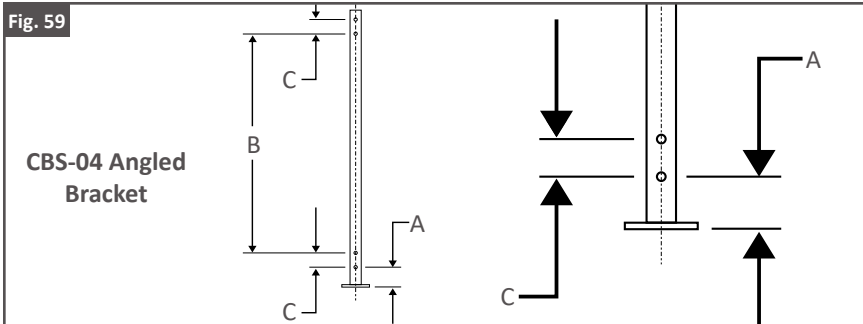
3-1/16" [78mm]

36-11/16" [932mm]

2-5/16" [59mm]

\*Dimension A positions bottom edge of rail 3-3/4" [95mm] above deck surface.

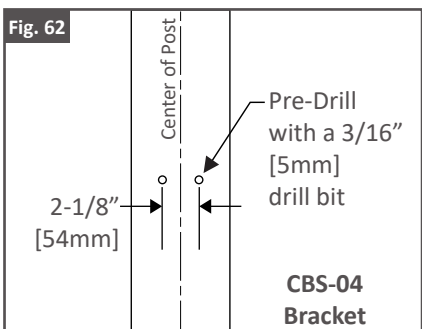
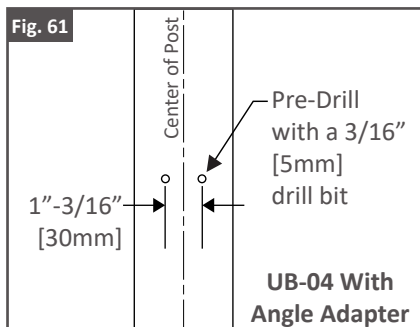
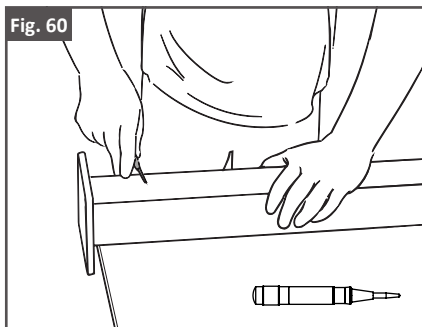
\*Dimension A is measured from the bottom surface of post base.



## Step 2: Pre-drill Angle Bracket Holes

### Tip:

- It's important to double check dimensions to confirm accuracy of bracket hole locations before drilling.
1. Use Spring Punch to mark the holes. As shown in Fig. 60.
  2. Pre-drill bracket holes with a 3/16" [5mm] drill bit. As shown in Fig. 61 & 62.
  3. Remove the bolt from the Angle Bracket Assembly.

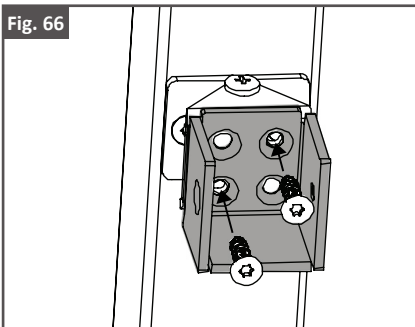
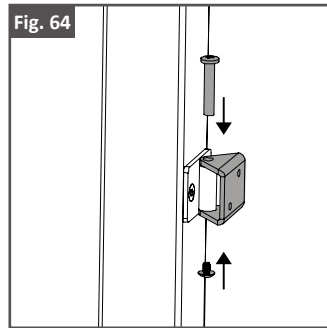
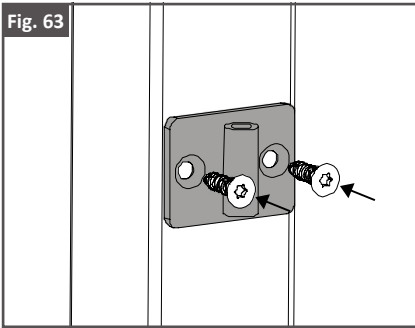


### Step 3: Install UB-04 With Angle Adapter

1. Attach Angle Adapter Base piece to the posts with supplied T-25 Thread-Cutting Screws. Use low speed setting on drill. As shown in Fig. 63.
2. Assemble Angle Adapter Body piece & Base piece. As shown in Fig. 64.
3. Attach UB-04 Bracket to Angle Adapter using T-25 Thread-Cutting Screws. As shown in Fig. 65.

#### Tip:

- Use a Bit Extender for an easier screw fastening process.



### Step 4: Install CBS-04 Bracket

1. Attach Angle Bracket Base piece to the posts with supplied T-25 thread-cutting screws. Use low speed setting on drill. As shown in Fig. 67.
2. Assemble Angle Bracket Body piece & Base piece. As shown in Fig. 68.

#### Tip:

- Use a Bit Extender for an easier screw fastening process.

Fig. 67

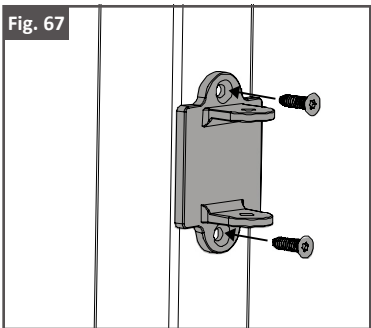
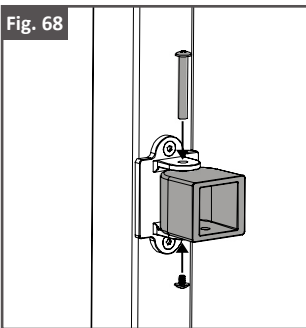


Fig. 68



### Step 5: Determine Panel Length

1. Check to ensure that all posts are square and straight. Shim posts as required.
2. Ensure that the Angle Bracket Cups are approximately aligned.
3. With another person's help, measure the distance from the inside back of one cup to the inside back of the other cup. This will be the panel length. As shown in Fig. 70 & 71.

Fig. 69

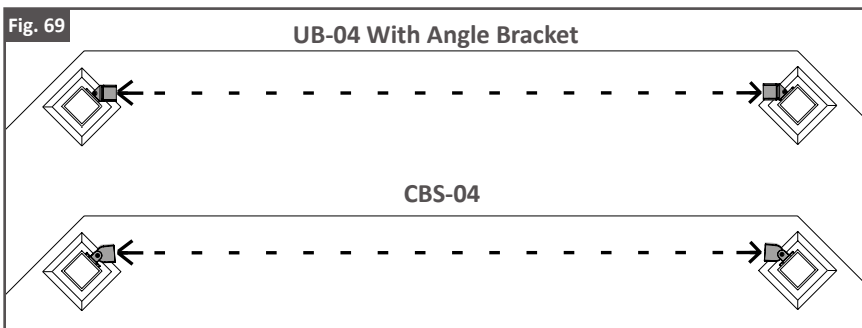


Fig. 70

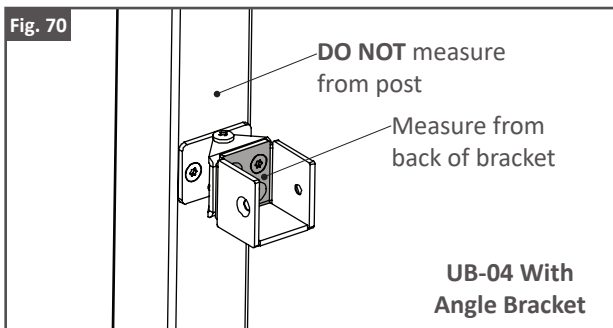
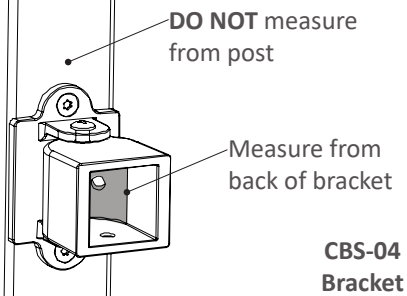


Fig. 71



## ANGLE BRACKET: CUTTING DOWN PANELS

---

- Reference pages 11 - 16 for panel cutting steps.

## ANGLE BRACKET: PANEL INSTALLATION

---

- Reference UB-04 panel installation steps on pages 16 - 18 and CB-04 panel installation steps on page 23.

## ANGLE BRACKET: POST BASE COVER, BRACKET CAP & PRESSED DOME/BALL CAP INSTALLATION

---

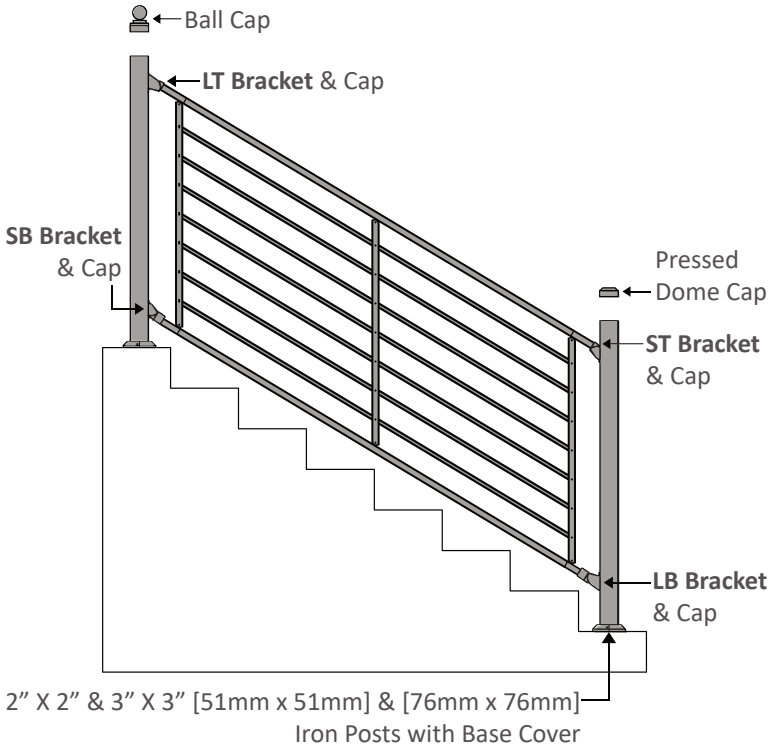
- Reference Post Base Cover, Bracket Cap & Pressed Dome/ Ball Cap instructions on pages 19 & 20.

# STAIR BRACKET

## Fe<sup>26</sup> Axis: Stair Bracket Installation

### Simplified Stair Bracket (SSB-04)

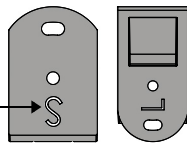
- Fe<sup>26</sup> Axis stair panels are designed to be installed with SSB Brackets ONLY.



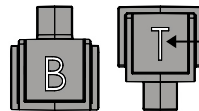
### Simplified Stair Bracket

Each bracket base of the SSB's has a stamped letter marking on the outside face to show the bracket being used

Back View



Front View



Each bracket cup of the SSB's has a stamped letter marking on the inside face to show the bracket being used

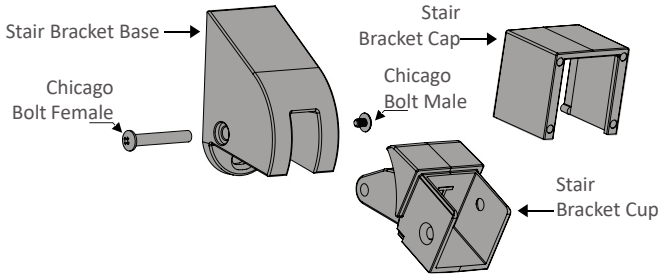
#### Bracket Letter Marking:

S: Small L: Large B: Bottom T: Top

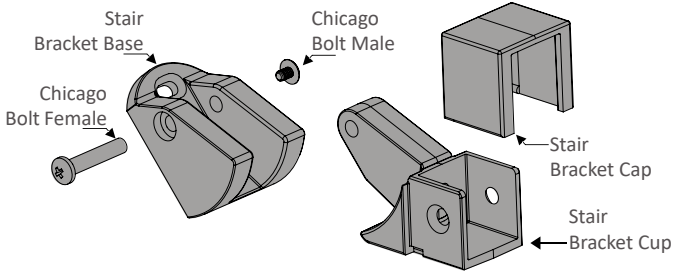
- Available Lengths: 6' [1829mm] and 8' [2438mm].
- Available Heights: 34" (864mm) and 40" (1016mm).
- Adjustable Angle Range: 31° to 38°.



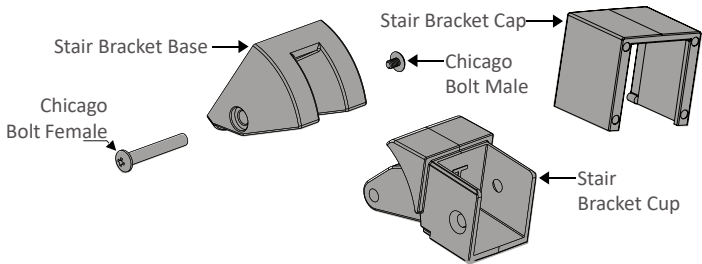
### Simplified Stair Bracket (SSB-04): LT



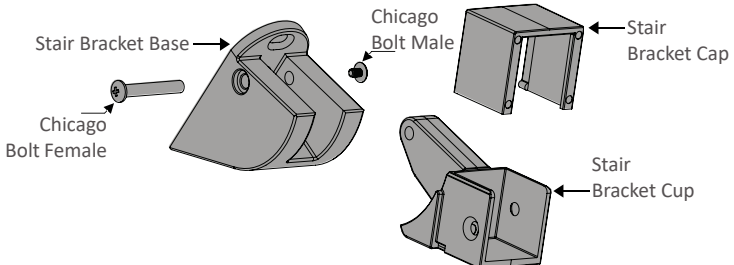
### Simplified Stair Bracket (SSB-04): SB



### Simplified Stair Bracket (SSB-04): ST



### Simplified Stair Bracket (SSB-04): LB



## STAIR BRACKET: BRACKET INSTALLATION

### Bracket Options

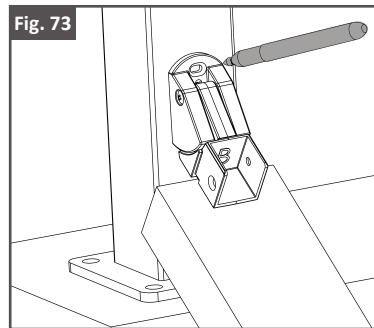
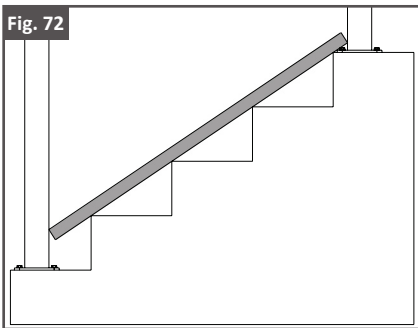
- When installing SSB brackets, Identify the 4 brackets (LT, ST, LB and SB) by the letters stamped in each part.
- Reference the installed panel image at the top of pages 32 & 33 for placement of each SSB Bracket.

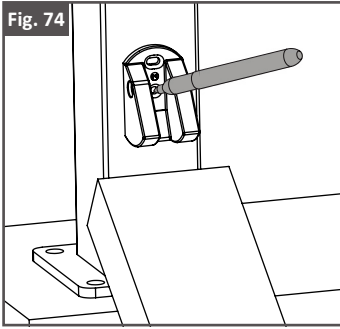
### Step 1: Bottom Bracket Installation

1. Position wood 2" x 4" [60mm x 102mm] between posts. As shown in Fig. 72.
2. Position bottom brackets centered flat on post & wood 2" x 4" [60mm x 102mm]. Use pencil to mark top edge of bracket location on post. As shown in Fig. 73.
3. Disassemble the bracket by removing the barrel and screw. Reference the bracket options on page 33.
4. Place bracket base on previous top edge mark. Center the base on the post and use pencil to add marks for two screw hole locations. As shown in Fig. 74.

### Note:

- Be sure bracket base is centered on post when marking hole locations.





## Step 2: Bottom Bracket Installation Continued

1. Use Spring Punch to mark the holes. As shown in Fig. 75.
2. Drill out bracket hole with a 3/16" [5mm] drill bit. As shown in Fig. 76.
3. Use T-25 screws to attach the base to the post. Begin with bottom hole then top. As shown in Fig. 77.
4. Keep bracket base centered as you install second screw.
5. Insert barrel & screw to re-assemble bracket.
6. Tighten barrel & screw. As shown in Fig. 78.

### Note:

- Lower Post may need to be unmounted to install bracket then remounted.

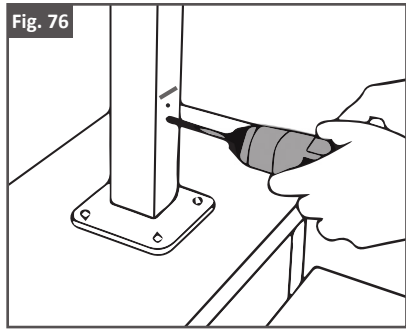
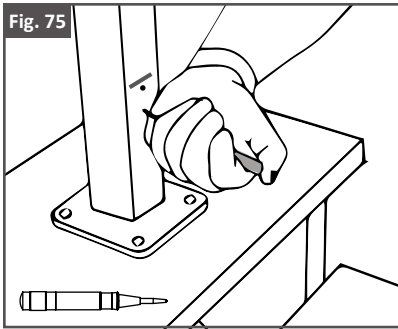


Fig. 77

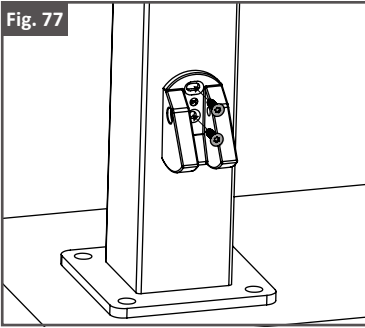
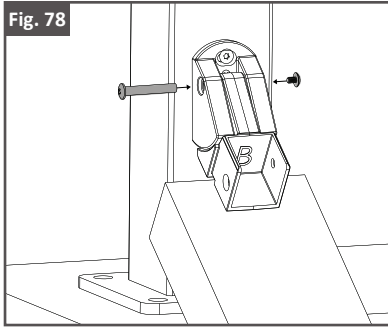


Fig. 78



### Step 3: Top Bracket Installation

1. Position wood 2" x 4" [60mm x 102mm] on stairs in line with bottom brackets.
2. Place panel on top of wood 2" x 4" [60mm x 102mm] next to bottom brackets. As shown in Fig. 79.
3. Rake the panel until center upright is parallel to the post or level and positioned as close to final installation position as possible.
4. Clamp the panel to the post. Be sure to clamp at four touch points to keep panel in position. As shown in Fig. 80.
5. Position bracket parallel with top rail & flat centered on post. **Make sure inside bottom of bracket is flush with bottom of rail. As shown in Fig. 81.**
6. Use pencil to mark top edge of bracket location on post.
7. Dis-assemble the bracket by removing the barrel and screw. Reference the bracket options on page 33.
8. Place Bracket Base on previous top edge mark. Center the base on the post and use pencil to add marks for two screw hole locations. As shown in Fig. 82.

#### Note:

- Be sure bracket bases are centered on posts when marking hole locations.

Fig. 79

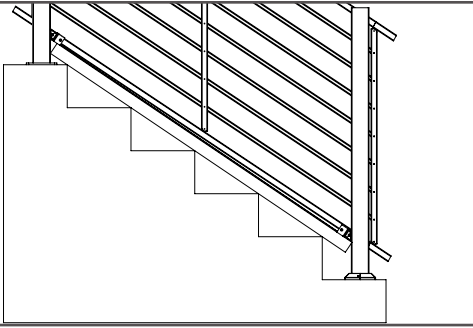


Fig. 80

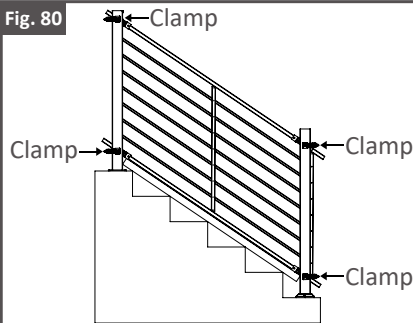


Fig. 81

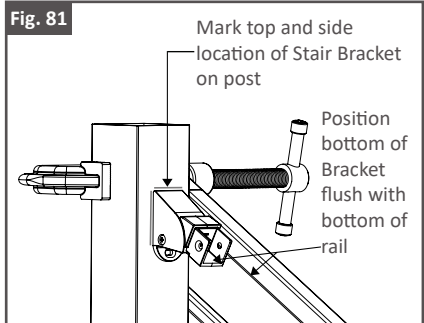
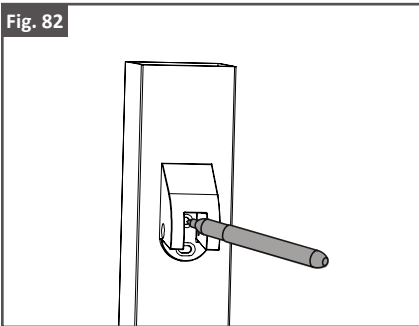


Fig. 82



#### Step 4: Top Bracket Installation Continued

- Reference bottom bracket installation step 2 on pages 35 & 36.

#### Tip:

- For both top brackets (LT & ST), install the top screw first.

## STAIR BRACKET: POST MOUNTING

- Reference Post Mounting instructions on page 5.

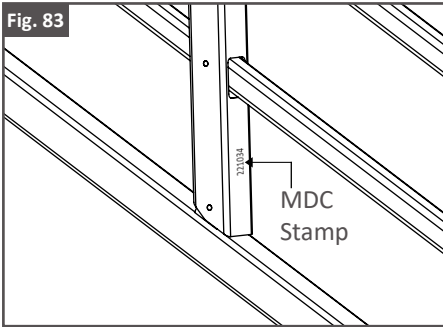
### Note:

IT'S RECOMMENDED TO INSTALL BRACKETS ON TO POST BEFORE POST MOUNTING.

## STAIR BRACKET: CUTTING DOWN PANELS (SSB-04 BRACKET)

### Step 1: Determine The Top & Bottom Of Panel

1. Use the MDC Stamp to determine the bottom of the panel. The MDC Stamp can be found on the bottom inside face of the middle upright. As shown in Fig. 83.



### Step 2: Measure & Mark Panels Where Cuts Will Be Made

1. Position wood 2" x 4" [60mm x 102mm] on stairs in line with bottom brackets.
2. Place bottom rail of panel on top of wood 2" x 4" [60mm x 102mm] next to bottom brackets.
3. Panel needs to be positioned with middle upright centered between posts
4. Confirm that panel is level and uprights are parallel to posts, then clamp panel to posts.
5. Place reference markings on rails in line with the back of bracket opening. Be sure bottom of bracket and bottom of rail are flush. As shown in Fig. 84.
6. Unclamp the panel and place it on a flat surface, preferably a table.

7. From the reference marks, subtract 4" [102mm] and mark cut points on the top and bottom rails. As shown in Fig. 85.
8. Measure distance from rail cut mark to the end of the rail. As shown in Fig. 86. Write the dimension on paper for future reference.
9. Using a rubber mallet, remove one of the uprights from the panel. As shown in Fig. 87. **DO NOT** Remove the opposite upright.
10. Use previously found measurement (Fig. 86) to mark picket cut points. Measure from the end of picket inward and mark the cut points. As shown in Fig. 88.
11. Place the removed upright on top of loose rails & pickets.
12. Position the back edge of upright in line with the previously marked rail reference marking and flush with the rails. As shown in Fig. 89.
13. **Confirm rail & picket cut marks before cutting the panel.**
14. Using a square, straighten cut point markings on top and side faces of rails and pickets. As shown in Fig. 90.

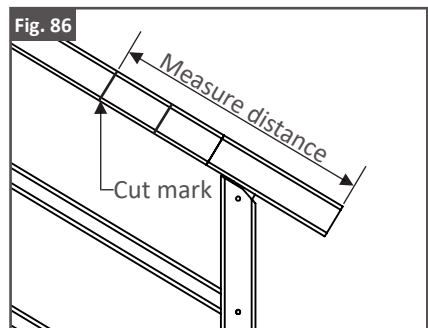
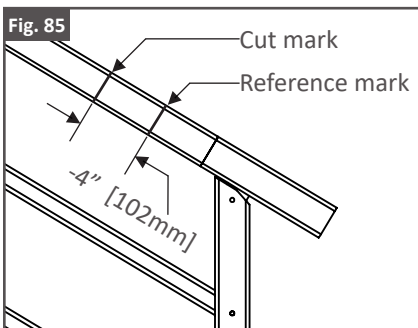
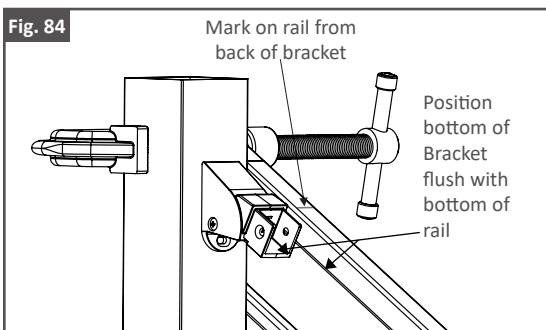


Fig. 87

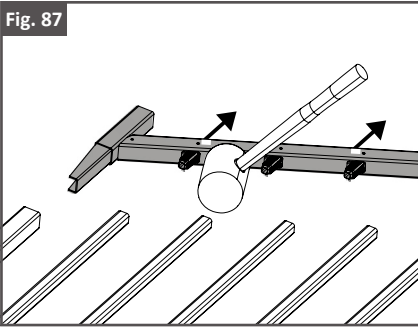


Fig. 88

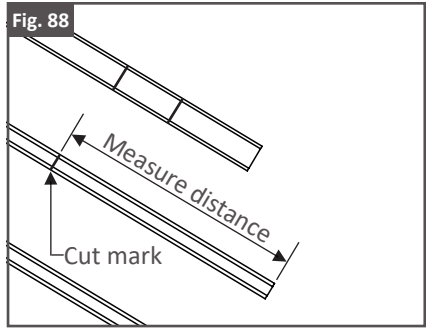


Fig. 89

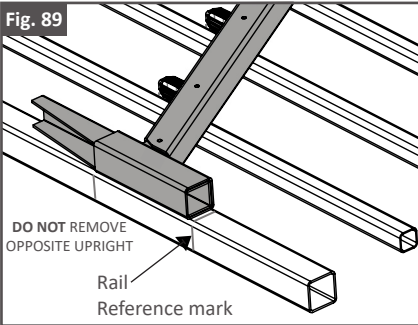
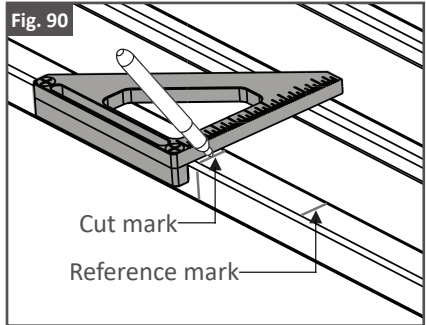


Fig. 90



### Step 3: Continue Stair Panel Cutting & Clean Steps

1. Reference steps 3 - 9 on pages 13 - 16 for the remaining panel cutting and cleaning steps.

### STAIR BRACKET: PANEL INSTALLATION

- Reference panel installation steps on pages 16 - 18.

### STAIR BRACKET: POST BASE COVER, BRACKET CAP & PRESSED DOME/BALL CAP INSTALLATION

- Reference Post Base Cover, Bracket Cap & Pressed Dome/ Ball Cap instructions on pages 19 & 20.



## CARE & MAINTENANCE

---

### Care And Maintenance Of Fortress Railing Products Powder-Coated Products And Surfaces:

- Immediately after installation of your Fortress Railing Products, clean powder-coated products and surfaces with a solution of warm water and non-abrasive, pH neutral detergent solution. Surfaces should be thoroughly rinsed after cleaning to remove all residues. All surfaces should be cleaned using a soft cloth or sponge.
- Ensure construction materials such as concrete, plaster, and paint splashes are removed immediately before they have a chance to dry. Failure to remove these materials may cause damage to the powder-coated surfaces.
- The frequency of cleaning depends in part on the standard of appearance and also the requirements to remove deposits that may cause damage to the powder coating after prolonged exposure. Fortress recommends cleaning in three to four monthly intervals all products and powder-coated surfaces. In areas where higher traffic, increased atmospheric substances, or other effects may occur, the time period between cleanings should be increased to monthly intervals.
- **WARNING: Do not use strong solvents such as thinners, or solutions containing chlorinated hydrocarbons, esters, or ketones. Abrasive cleaners or cutting compounds should not be used.**

## WARRANTY

---

To obtain and review a copy of the warranty, please go to: <https://Fortressbp.com/warranties>. You can also contact: (844) 909-1999 or write to: Fortress Building Products Warranty, 1720 N 1st St, Garland, TX 75040 to obtain a copy of the warranty.



**JOIN THE REVOLUTION.**

**FortressBP.com | 866.323.4766**